

PLEASE CHECK WWW.MOLEX.COM FOR LATEST PART INFORMATION

Part Number: [0877822003](#)
Status: **Active**
Description: 0.60mm (.024") Pitch miniDIMM DDR2, Socket, Surface Mount, Vertical, 1.8V Voltage Key, 244 Circuits, 0.76µm (30µ") Gold (Au) Plating, Off- White Latches, with Pick-and-Place Cap, Type B Tray, Lead-free

Documents:

[3D Model](#) [Product Specification PS-87782-027 \(PDF\)](#)
[Drawing \(PDF\)](#) [RoHS Certificate of Compliance \(PDF\)](#)

Agency Certification

CSA LR19980
 UL E29179

General

Product Family Memory Module Sockets
 Series [87782](#)
 Comments Latches in Off-White ColorWith Cap
 Component Type Socket
 JEDEC Outline MO-244
 Product Name MiniDIMM

Physical

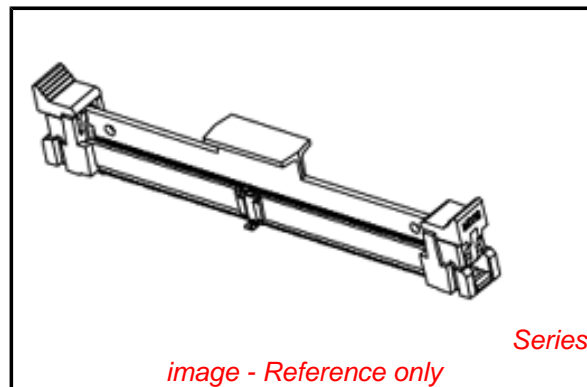
Circuits (Loaded) 244
 Color - Resin Black
 Durability (mating cycles max) 25
 Entry Angle Vertical (Top Entry)
 Flammability 94V-0
 Keying to Mating Part Yes
 Material - Metal Copper Alloy
 Material - Plating Mating Gold
 Material - Plating Termination Tin
 Material - Resin High Temperature Thermoplastic
 PCB Locator Yes
 PCB Retention Yes
 Packaging Type Tray
 Pitch - Mating Interface (in) 0.024 In
 Pitch - Mating Interface (mm) 0.60 mm
 Pitch - Term. Interface (in) 0.024 In
 Pitch - Term. Interface (mm) 0.60 mm
 Plating min: Mating (µin) 30
 Plating min: Mating (µm) 0.76
 Plating min: Termination (µin) 100
 Plating min: Termination (µm) 2.54
 Temperature Range - Operating -55°C to +85°C
 Termination Interface: Style Surface Mount

Electrical

Current - Maximum per Contact 1A
 Voltage - Maximum 30V (RMS)
 Voltage Key 1.8V

Solder Process Data

Duration at Max. Process Temperature (seconds) 5
 Lead-free Process Capability SMC & Wave Capable (TH only)
 Max. Cycles at Max. Process Temperature 2
 Process Temperature max. C 260



EU RoHS

ELV and RoHS Compliant
REACH SVHC
 Not Reviewed
Halogen-Free Status
 Not Reviewed

China RoHS



Need more information on product environmental compliance?

Email productcompliance@molex.com
 For a multiple part number RoHS Certificate of Compliance, [click here](#)

Please visit the [Contact Us](#) section for any non-product compliance questions.

Search Parts in this Series

[87782Series](#)

Mates With

JEDEC MO-244 Modules

Material Info

Reference - Drawing Numbers

Product Specification

PS-87782-027

Sales Drawing

SD-87782-001

This document was generated on 04/09/2010

PLEASE CHECK WWW.MOLEX.COM FOR LATEST PART INFORMATION

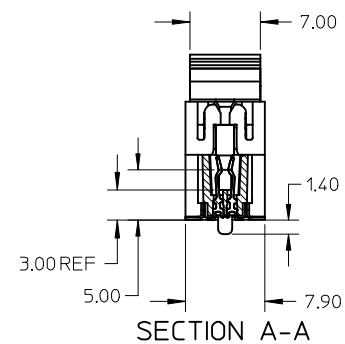
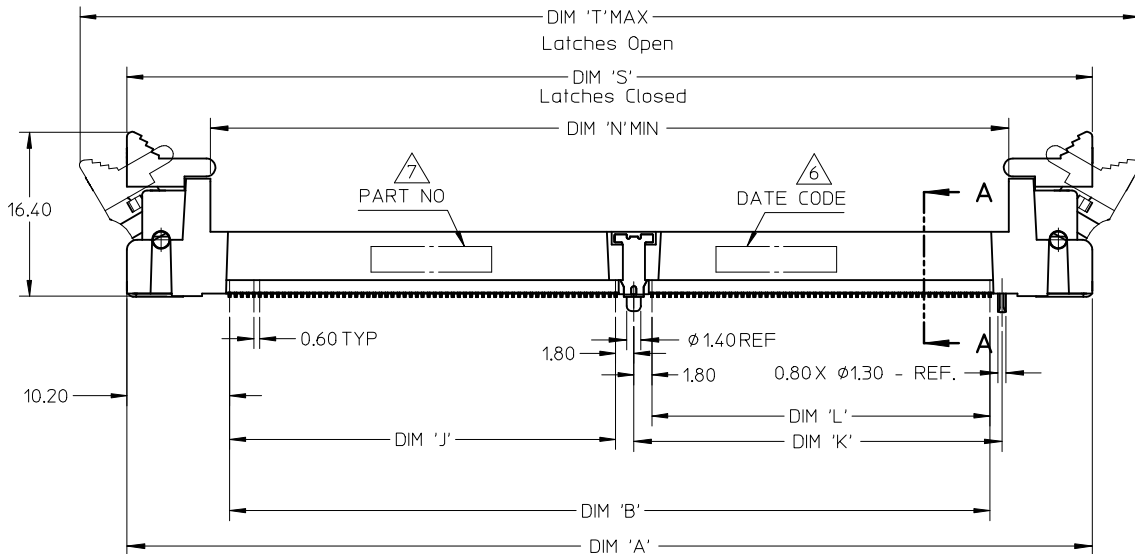
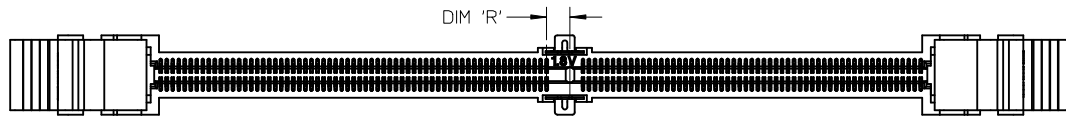
NOTES :

1. MATERIAL :
 HOUSING : LIQUID CRYSTAL POLYMER, GLASS FILLED,
 UL 94V-0, COLOUR : BLACK
 CONTACTS : COPPER ALLOY
 LATCHES : HIGH TEMPERATURE NYLON, UL 94V-0
 COLOUR : NATURAL (OFF-WHITE)

2. FINISH
 CONTACT AREA : 0.76 MICROMETER (30 MICROINCH) MIN GOLD OVER
 1.25 MICROMETER (50 MICROINCH) MIN NICKEL
 SMT TAIL : 2.54 MICROMETER (100 MICROINCH) MIN TIN OVER
 1.25 MICROMETER (50 MICROINCH) MIN NICKEL.
3. ACCEPTS 1.0 mm THICK MEMORY MODULE PER JEDEC MO-244
 FOR 244 CKTS AND MO-258 FOR 200 CKTS.
4. PRODUCT SPECIFICATION : PS-87782-027
5. PRODUCT SHALL BE PACKED IN TRAY. PLS REFER TO SHEET 5

6. DATE CODE SHALL BE MARKED LEGIBLY AS SHOWN : YYDD

7. PART NUMBER SHALL BE MARKED LEGIBLY AS SHOWN.
 87782-XXXX (REFER TO TABLE)



| | | | | | | | | |
|--|--------------------|---------------------------------------|--|---|-----------|---|------------------------|---------------------|
| NEW COVER EC NO: S2010-0004 DRWN: TARUNUGHAM 2009/08/12 CHKD: CGTAN 2009/08/12 APPR: SILENI 2009/08/17 | DESCRIPTION REV | QUALITY SYMBOLS | GENERAL TOLERANCES (UNLESS SPECIFIED) | DIMENSION STYLE | SCALE | DESIGN UNITS | THIRD ANGLE PROJECTION | |
| | | $\nabla = 0$ $\sphericalangle = 0$ | mm INCH 4 PLACES ± --- ± --- 3 PLACES ± --- ± --- 2 PLACES ± 0.13 ± --- 1 PLACE ± 0.25 ± --- ANGULAR ± 1 ° | MM ONLY | NTS | METRIC | | |
| | | | | DRAWN BY: MLONG DATE: 2003/01/07 CHECKED BY: DATE: APPROVED BY: DATE: 2003/07/16 SKTOH DATE: 2003/07/17 | TITLE | MINI DIMM, 0.60MM PITCH 200/244 CKTS, VERTICAL | | |
| | | | | MATERIAL NO. DOCUMENT NO. | SEE TABLE | MOLEX INCORPORATED | | SHEET NO. 1 OF 6 |

10 9 8 7 6 5 4 3 2 1

F

E

D

C

B

A

F

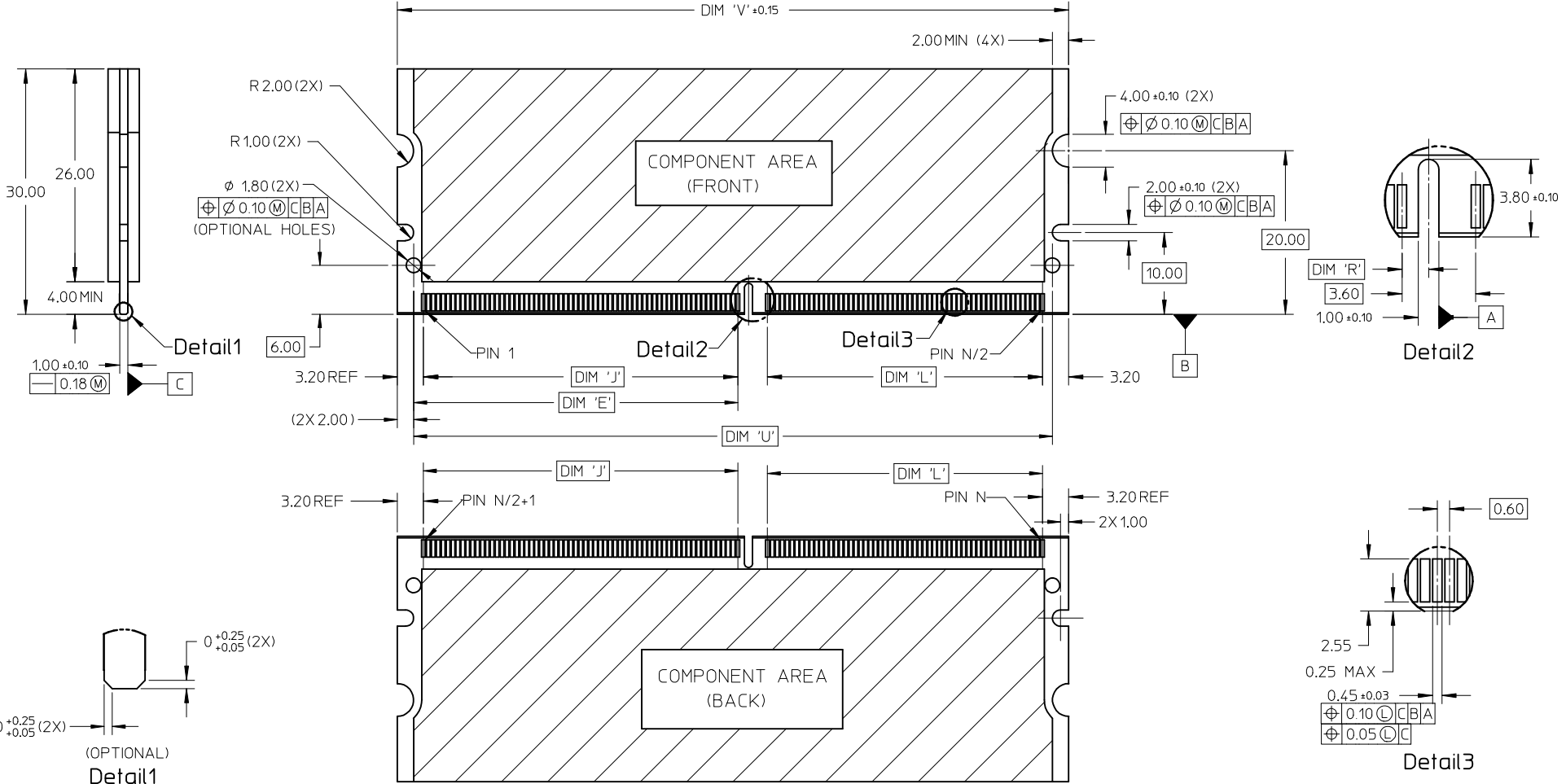
E

D

C

B

A



| NEW COVER EC NO: S2010-0004 DRWN: TARUUGHAM 2009/08/12 CHKD: CGTAN 2009/08/12 APPR: SILENI 2009/08/17 | QUALITY SYMBOLS ▽=0 ◻=0 | GENERAL TOLERANCES (UNLESS SPECIFIED) <table border="1"> <thead> <tr> <th></th> <th>mm</th> <th>INCH</th> </tr> </thead> <tbody> <tr> <td>4 PLACES</td> <td>± ---</td> <td>± ---</td> </tr> <tr> <td>3 PLACES</td> <td>± ---</td> <td>± ---</td> </tr> <tr> <td>2 PLACES</td> <td>± 0.13</td> <td>± ---</td> </tr> <tr> <td>1 PLACE</td> <td>± 0.25</td> <td>± ---</td> </tr> </tbody> </table> | | mm | INCH | 4 PLACES | ± --- | ± --- | 3 PLACES | ± --- | ± --- | 2 PLACES | ± 0.13 | ± --- | 1 PLACE | ± 0.25 | ± --- | DIMENSION STYLE MM ONLY | SCALE NTS | DESIGN UNITS METRIC | THIRD ANGLE PROJECTION |
|--|--|--|--------------------|---|-------------------------------------|----------------------------|-------|-------|----------|-------|-------|----------|--------|-------|---------|--------|-------|-----------------------------------|---------------------|-------------------------------|------------------------|
| | | mm | INCH | | | | | | | | | | | | | | | | | | |
| | 4 PLACES | ± --- | ± --- | | | | | | | | | | | | | | | | | | |
| | 3 PLACES | ± --- | ± --- | | | | | | | | | | | | | | | | | | |
| 2 PLACES | ± 0.13 | ± --- | | | | | | | | | | | | | | | | | | | |
| 1 PLACE | ± 0.25 | ± --- | | | | | | | | | | | | | | | | | | | |
| DESCRIPTION REV | DRAFT WHERE APPLICABLE MUST REMAIN WITHIN DIMENSIONS | DRAWN BY MLONG | DATE 2003/01/07 | TITLE MINI DIMM, 0.60MM PITCH 200/244 CKTS, VERTICAL | | | | | | | | | | | | | | | | | |
| | | CHECKED BY PTLIM | DATE 2003/07/16 | MOLEX MOLEX INCORPORATED | | | | | | | | | | | | | | | | | |
| | | APPROVED BY SKTOH | DATE 2003/07/17 | MATERIAL NO. SEE TABLE | DOCUMENT NO. SD-87782-001 | SHEET NO. 2 OF 6 | | | | | | | | | | | | | | | |

9 8 7 6 5 4 3 2 1

10 9 8 7 6 5 4 3 2 1

F

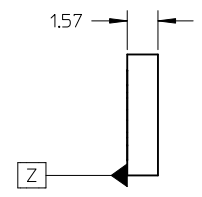
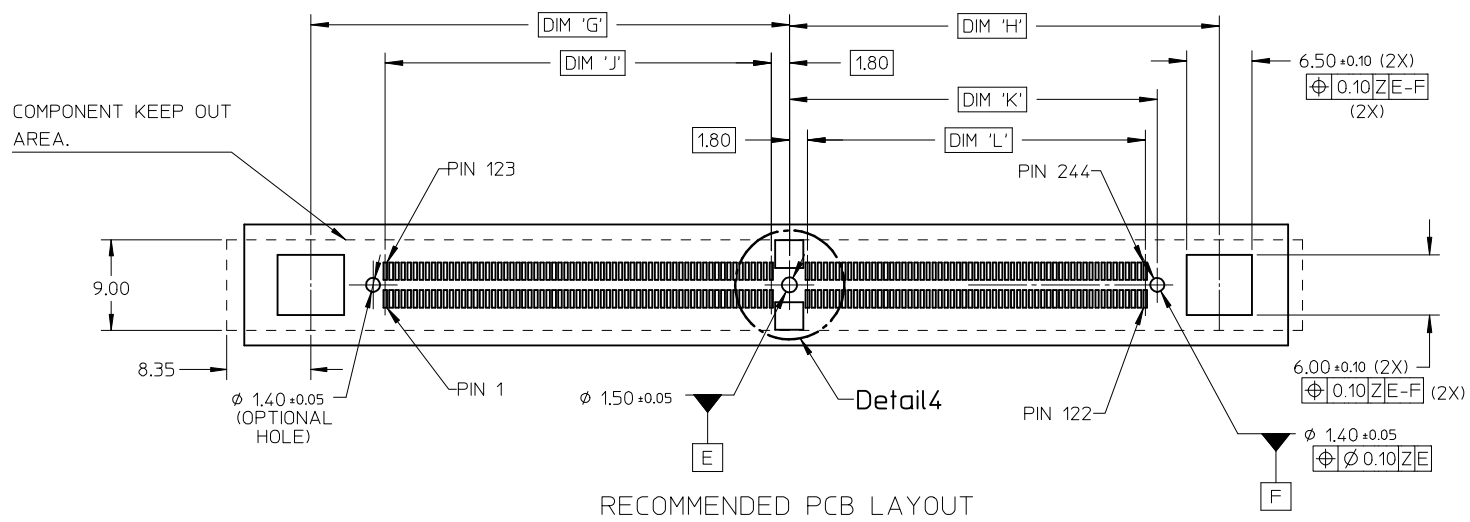
E

D

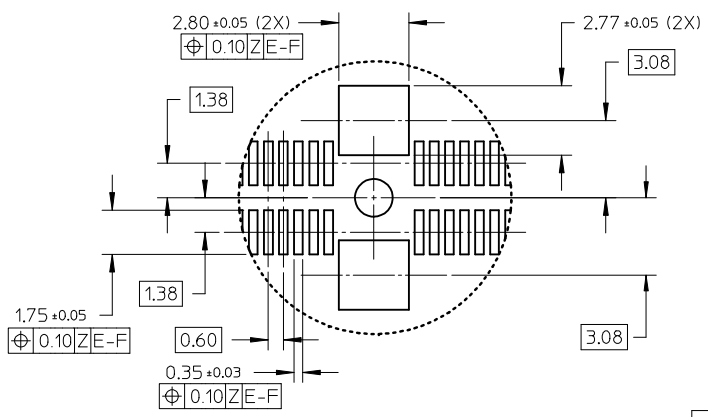
C

B

A



RECOMMENDED PCB LAYOUT



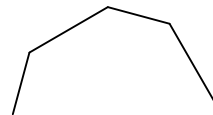
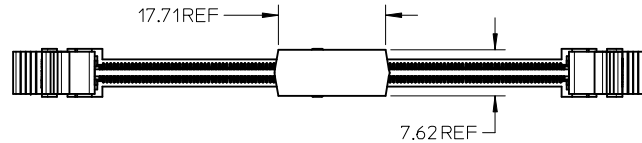
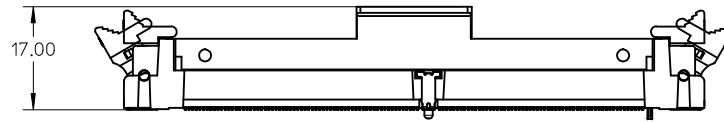
Detail 4

| | | | | | | | | | |
|--|-----------------|---------------------------------------|--|----------------------------|---|--|------------------------|------------------------|--|
| NEW COVER EC NO: S2010-0004 DRWN: TARUMUGHAM 2009/08/12 CHKD: CGTAN 2009/08/12 APPR: SILENI 2009/08/17 | QUALITY SYMBOLS | GENERAL TOLERANCES (UNLESS SPECIFIED) | | DIMENSION STYLE MM ONLY | | SCALE NTS | DESIGN UNITS METRIC | THIRD ANGLE PROJECTION | |
| | ▽=0 ∠=0 | mm | INCH | DRAWN BY MLONG | DATE 2003/01/07 | TITLE MINI DIMM, 0.60MM PITCH 200/244 CKTS, VERTICAL | | | |
| | | 4 PLACES ± --- | ± --- | CHECKED BY PTLIM | DATE 2003/07/16 | MOLEX INCORPORATED | | | |
| | | 3 PLACES ± --- | ± --- | APPROVED BY SKTOH | DATE 2003/07/17 | DOCUMENT NO. SD-87782-001 | | SHEET NO. 3 OF 6 | |
| | 2 PLACES ± 0.13 | ± --- | MATERIAL NO. SEE TABLE | | THIS DRAWING CONTAINS INFORMATION THAT IS PROPRIETARY TO MOLEX INCORPORATED AND SHOULD NOT BE USED WITHOUT WRITTEN PERMISSION | | | | |
| | 1 PLACE ± 0.25 | ± --- | DRAFT WHERE APPLICABLE MUST REMAIN WITHIN DIMENSIONS | | | | | | |

9 8 7 6 5 4 3 2 1

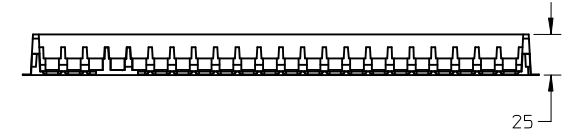
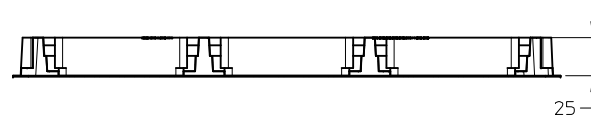
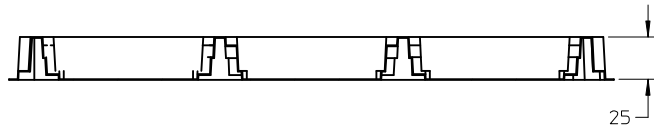
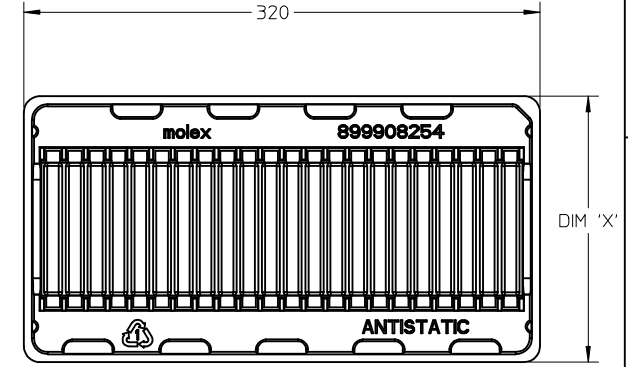
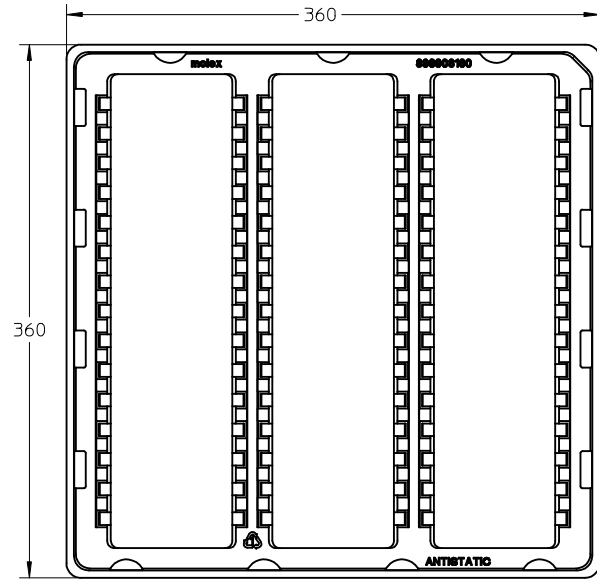
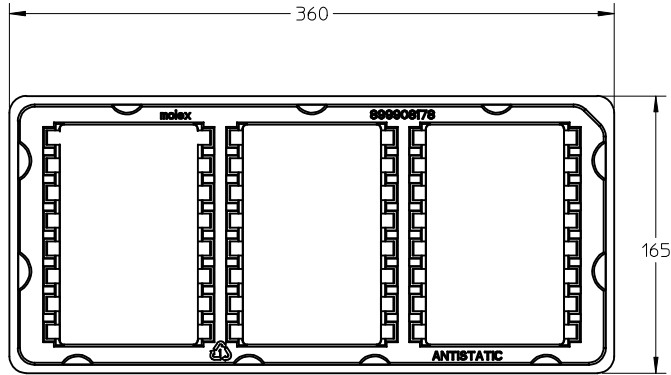
10 9 8 7 6 5 4 3 2 1

FOR OPTIONS WITH COVER



| NEW COVER EC NO: S2010-0004 DRWN: TARUMUGHAM 2009/08/12 CHKD: CGTAN 2009/08/12 APPR: SHLENI 2009/08/17 | QUALITY SYMBOLS | GENERAL TOLERANCES (UNLESS SPECIFIED) | | DIMENSION STYLE MM ONLY | | SCALE NTS | DESIGN UNITS METRIC | THIRD ANGLE PROJECTION | | | | | | | | | | | | | | | | | |
|---|--|---|-------------------|-----------------------------------|---|---------------------|-------------------------------|------------------------|----------|-------|-------|----------|--------|-------|---------|--------|-------|--|--|-------|--|---|--|--|--|
| | ▼=0 □=0 | <table border="1"> <thead> <tr> <th></th> <th>mm</th> <th>INCH</th> </tr> </thead> <tbody> <tr> <td>4 PLACES</td> <td>± ---</td> <td>± ---</td> </tr> <tr> <td>3 PLACES</td> <td>± ---</td> <td>± ---</td> </tr> <tr> <td>2 PLACES</td> <td>± 0.13</td> <td>± ---</td> </tr> <tr> <td>1 PLACE</td> <td>± 0.25</td> <td>± ---</td> </tr> </tbody> </table> | | mm | INCH | 4 PLACES | ± --- | ± --- | 3 PLACES | ± --- | ± --- | 2 PLACES | ± 0.13 | ± --- | 1 PLACE | ± 0.25 | ± --- | DRAWN BY: MLONG DATE: 2003/01/07 CHECKED BY: PTLIM DATE: 2003/07/16 APPROVED BY: SKTOH DATE: 2003/07/17 | | TITLE | | MINI DIMM, 0.60MM PITCH 200/244 CKTS, VERTICAL | | | |
| | | mm | INCH | | | | | | | | | | | | | | | | | | | | | | |
| | 4 PLACES | ± --- | ± --- | | | | | | | | | | | | | | | | | | | | | | |
| 3 PLACES | ± --- | ± --- | | | | | | | | | | | | | | | | | | | | | | | |
| 2 PLACES | ± 0.13 | ± --- | | | | | | | | | | | | | | | | | | | | | | | |
| 1 PLACE | ± 0.25 | ± --- | | | | | | | | | | | | | | | | | | | | | | | |
| DESCRIPTION | ANGULAR ± 1 ° | | MATERIAL NO. | | MOLEX INCORPORATED DOCUMENT NO. SD-87782-001 | | | | | | | | | | | | | | | | | | | | |
| REV | DRAFT WHERE APPLICABLE MUST REMAIN WITHIN DIMENSIONS | | SIZE A3 | | THIS DRAWING CONTAINS INFORMATION THAT IS PROPRIETARY TO MOLEX INCORPORATED AND SHOULD NOT BE USED WITHOUT WRITTEN PERMISSION | | | | | | | | | | | | | | | | | | | | |

9 8 7 6 5 4 3 2 1



TRAY TYPE A
 QTY OF CAVITY: 3 X 8 = 24 PCS
 COLOUR: TRANSPARENT

TRAY TYPE B
 QTY OF CAVITY: 3 X 15 = 45 PCS
 COLOUR: TRANSPARENT

TRAY TYPE AND COLOUR - SEE TABLE
 QTY OF CAVITY: 1 X 22 = 22 PCS
 COLOUR - SEE TABLE

| TRAY TYPE | DIM 'X' | TRAY COLOUR |
|-----------|---------|-------------|
| C | 165 | TRANSPARENT |
| D | 160 | WHITE |

| | | | | | | | | | | | | | | | | | | | | | | | | | | | | | | | | | | | | | | |
|---|--|---|------------|----------------------------|---|--------------|------------------------|------------------------|----------|-------|-------|----------|--------|-------|---------|--------|-------|--|----------|------|-------|------------|------------|------|--------|------------|-------------|------|-------|------------|--|--|---------------------------|--|------------------------------|--|---------------------|--|
| NEW COVER EC NO: S2010-0004 DRWN: TARUMUGHAM 2009/08/12 CHKD: CGTAN 2009/08/12 APPR: SHLENI 2009/08/17 | QUALITY SYMBOLS | GENERAL TOLERANCES (UNLESS SPECIFIED) | | DIMENSION STYLE MM ONLY | | SCALE NTS | DESIGN UNITS METRIC | THIRD ANGLE PROJECTION | | | | | | | | | | | | | | | | | | | | | | | | | | | | | | |
| | = 0 = 0 | <table border="1"> <tr> <td></td> <td>mm</td> <td>INCH</td> </tr> <tr> <td>4 PLACES</td> <td>± ---</td> <td>± ---</td> </tr> <tr> <td>3 PLACES</td> <td>± ---</td> <td>± ---</td> </tr> <tr> <td>2 PLACES</td> <td>± 0.13</td> <td>± ---</td> </tr> <tr> <td>1 PLACE</td> <td>± 0.25</td> <td>± ---</td> </tr> </table> | | mm | INCH | 4 PLACES | ± --- | ± --- | 3 PLACES | ± --- | ± --- | 2 PLACES | ± 0.13 | ± --- | 1 PLACE | ± 0.25 | ± --- | <table border="1"> <tr> <td>DRAWN BY</td> <td>DATE</td> </tr> <tr> <td>MLONG</td> <td>2003/01/07</td> </tr> <tr> <td>CHECKED BY</td> <td>DATE</td> </tr> <tr> <td>PTL IM</td> <td>2003/07/16</td> </tr> <tr> <td>APPROVED BY</td> <td>DATE</td> </tr> <tr> <td>SKTOH</td> <td>2003/07/17</td> </tr> </table> | DRAWN BY | DATE | MLONG | 2003/01/07 | CHECKED BY | DATE | PTL IM | 2003/07/16 | APPROVED BY | DATE | SKTOH | 2003/07/17 | TITLE MINI DIMM, 0.60MM PITCH 200/244 CKTS, VERTICAL | | MATERIAL NO. SEE TABLE | | DOCUMENT NO. SD-87782-001 | | SHEET NO. 5 OF 6 | |
| | | mm | INCH | | | | | | | | | | | | | | | | | | | | | | | | | | | | | | | | | | | |
| | 4 PLACES | ± --- | ± --- | | | | | | | | | | | | | | | | | | | | | | | | | | | | | | | | | | | |
| 3 PLACES | ± --- | ± --- | | | | | | | | | | | | | | | | | | | | | | | | | | | | | | | | | | | | |
| 2 PLACES | ± 0.13 | ± --- | | | | | | | | | | | | | | | | | | | | | | | | | | | | | | | | | | | | |
| 1 PLACE | ± 0.25 | ± --- | | | | | | | | | | | | | | | | | | | | | | | | | | | | | | | | | | | | |
| DRAWN BY | DATE | | | | | | | | | | | | | | | | | | | | | | | | | | | | | | | | | | | | | |
| MLONG | 2003/01/07 | | | | | | | | | | | | | | | | | | | | | | | | | | | | | | | | | | | | | |
| CHECKED BY | DATE | | | | | | | | | | | | | | | | | | | | | | | | | | | | | | | | | | | | | |
| PTL IM | 2003/07/16 | | | | | | | | | | | | | | | | | | | | | | | | | | | | | | | | | | | | | |
| APPROVED BY | DATE | | | | | | | | | | | | | | | | | | | | | | | | | | | | | | | | | | | | | |
| SKTOH | 2003/07/17 | | | | | | | | | | | | | | | | | | | | | | | | | | | | | | | | | | | | | |
| DESCRIPTION | ANGULAR ± 1 ° | | SIZE A3 | | THIS DRAWING CONTAINS INFORMATION THAT IS PROPRIETARY TO MOLEX INCORPORATED AND SHOULD NOT BE USED WITHOUT WRITTEN PERMISSION | | | | | | | | | | | | | | | | | | | | | | | | | | | | | | | | | |
| REV | DRAFT WHERE APPLICABLE MUST REMAIN WITHIN DIMENSIONS | | | | | | | | | | | | | | | | | | | | | | | | | | | | | | | | | | | | | |

| CKT SIZE 'N' | PART NUMBER | MODULE CARD | VOLTAGE KEY | DIM 'R' | DIM 'J' | DIM 'K' | DIM 'L' | DIM 'N' | DIM 'A' | DIM 'S' | DIM 'T' | DIM 'E' | DIM 'U' | DIM 'V' | DIM 'G' | DIM 'H' | DIM 'B' | COVER | TRAY |
|--------------|-------------|-------------|-------------|---------|---------|---------|---------|---------|---------|---------|---------|---------|---------|---------|---------|---------|---------|-------|--------|
| 244 | 87782-2001 | DDR2 | 1.8 V | 1.30 | 38.40 | 36.60 | 33.60 | 79.00 | 96.0 | 96.0 | 106.20 | 39.60 | 78.00 | 82.00 | 47.60 | 42.75 | 75.60 | NIL | TYPE A |
| 244 | 87782-2003 | DDR2 | 1.8 V | 1.30 | 38.40 | 36.60 | 33.60 | 79.00 | 96.0 | 96.0 | 106.20 | 39.60 | 78.00 | 82.00 | 47.60 | 42.75 | 75.60 | YES | TYPE B |
| | 87782-3003 | DDR3 | 1.5 V | 2.30 | | | | | | | | | | | | | | YES | TYPE B |
| 244 | 87782-2005 | DDR2 | 1.8 V | 1.30 | 38.40 | 36.60 | 33.60 | 79.00 | 96.0 | 96.0 | 106.20 | 39.60 | 78.00 | 82.00 | 47.60 | 42.75 | 75.60 | YES | TYPE A |
| | 87782-3005 | DDR3 | 1.5 V | 2.30 | | | | | | | | | | | | | | YES | TYPE A |
| 244 | 87782-2007 | DDR2 | 1.8 V | 1.30 | 38.40 | 36.60 | 33.60 | 79.00 | 96.0 | 96.0 | 106.20 | 39.60 | 78.00 | 82.00 | 47.60 | 42.75 | 75.60 | YES | TYPE C |
| | 87782-3007 | DDR3 | 1.5 V | 2.30 | | | | | | | | | | | | | | YES | TYPE C |
| 244 | 87782-2009 | DDR2 | 1.8 V | 1.30 | 38.40 | 36.60 | 33.60 | 79.00 | 96.0 | 96.0 | 106.20 | 39.60 | 78.00 | 82.00 | 47.60 | 42.75 | 75.60 | YES | TYPE D |
| | 87782-3009 | DDR3 | 1.5 V | 2.30 | | | | | | | | | | | | | | YES | TYPE D |
| 200 | 87782-2201 | DDR2 | 1.8 V | 1.30 | 23.40 | 38.40 | 35.40 | 65.80 | 82.8 | 82.8 | 93.00 | 24.60 | 64.80 | 68.80 | 32.60 | 44.55 | 62.40 | NIL | TYPE A |
| | 87782-2202 | DDR | 2.5 V | 2.30 | | | | | | | | | | | | | | NIL | TYPE A |
| 200 | 87782-2203 | DDR2 | 1.8 V | 1.30 | 23.40 | 38.40 | 35.40 | 65.80 | 82.8 | 82.8 | 93.00 | 24.60 | 64.80 | 68.80 | 32.60 | 44.55 | 62.40 | YES | TYPE A |
| | 87782-2204 | DDR | 2.5 V | 2.30 | | | | | | | | | | | | | | YES | TYPE A |

| | | | | | | | |
|--|-----------------|---|---|---|---|-------------------------------|------------------|
| NEW COVER EC NO: S2010-0004 TDRWN: TARUMUGHAM 2009/08/12 CHKD: CGTAN 2009/08/12 APPR: SHLENI 2009/08/17 | QUALITY SYMBOLS | GENERAL TOLERANCES (UNLESS SPECIFIED) | DIMENSION STYLE | SCALE | DESIGN UNITS | THIRD ANGLE PROJECTION | |
| | ▽=0 □=0 | mm INCH 4 PLACES ± --- ± --- 3 PLACES ± --- ± --- 2 PLACES ± 0.13 ± --- 1 PLACE ± 0.25 ± --- ANGULAR ± 1 ° | MM ONLY | NTS | METRIC | ☉ □ THIRD ANGLE PROJECTION | |
| | DESCRIPTION | DRAFT WHERE APPLICABLE MUST REMAIN WITHIN DIMENSIONS | DRAWN BY DATE MLONG 2003/01/07 CHECKED BY DATE PTL IM 2003/07/16 APPROVED BY DATE SKTOH 2003/07/17 | TITLE | MINI DIMM, 0.60MM PITCH 200/244 CKTS, VERTICAL | | |
| | REV | SEE TABLE | MATERIAL NO. | DOCUMENT NO. | MOLEX INCORPORATED SD-87782-001 | | |
| | | | SIZE A3 | THIS DRAWING CONTAINS INFORMATION THAT IS PROPRIETARY TO MOLEX INCORPORATED AND SHOULD NOT BE USED WITHOUT WRITTEN PERMISSION | | | SHEET NO. 6 OF 6 |